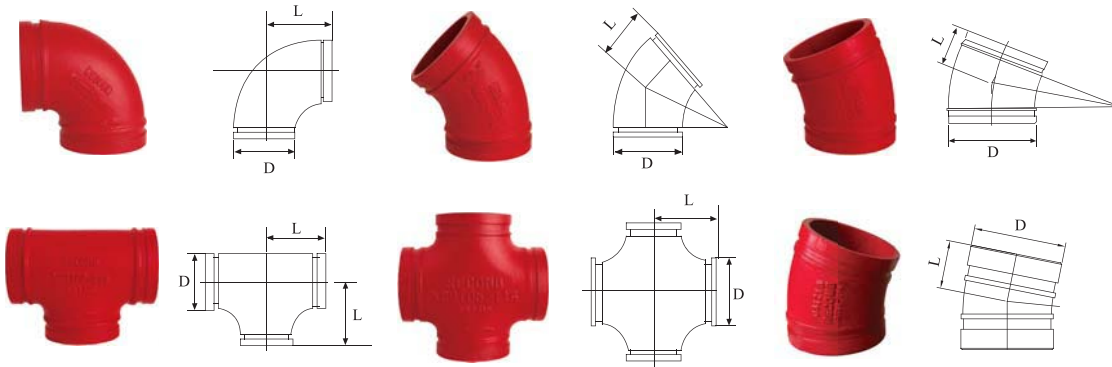


GROOVED FITTINGS



Standard Elbow、 Tee 、 Cross

Nominal Size		Pipe O.D.	Max.Working Pressure		XGQT01 90° Elbow L	XGQT02 45° Elbow L	XGQT10 22.5° Elbow L	XGQT20 11.25° Elbow L	XGQT03 Tee L	XGQT05 Cross L
Inch	mm	mm	KPa	psi	mm	mm	mm	mm	mm	mm
1	25	33.7	2065	300	57	44	44		57	57
1 1/4	32	42.4	2065	300	70	45	45		70	70
1 1/2	40	48.3	2065	300	70	45	45		70	70
2	50	57	2065	300	84	55	47.5		84	84
2	50	60.3	2065	300	84	55	47.5	35	84	84
2 1/2	65	73	2065	300	90	60	51	38	90	90
2 1/2	65	76.1	2065	300	90	60	51	38	90	90
3	80	88.9	2065	300	94	65	57	38	94	94
4	100	108	2065	300	104	80	67	44	104	104
4	100	114.3	2065	300	104	80	67	44	104	104
5	125	133	2065	300	122	90	73	51	122	122
5	125	139.7	2065	300	122	90	73	51	122	122
5	125	141.3	2065	300	122	90	73	51	122	122
6	150	159	2065	300	142	95	79	51	142	142
6	150	165.1	2065	300	142	95	79	51	142	142
6	150	168.3	2065	300	142	95	79	51	142	142
8	200	219.1	2065	300	179	124	98.5	51	179	179
10	250	273	1205	175	215	144	111	54	215	215
12	300	325	1205	175	245	147	124		245	245
12	300	323.9	1205	175	245	147	124	57	245	245
14	350	377	1205	175	356	147			305	305
14	350	355.6								
16	400	426	1205	175	406	168			328	328
16	400	406.4								
18	450	480	1205	175	457	190			359	359
18	450	457.2								
20	500	530	1205	175	508	210			387	387
20	500	508								
24	600	630	1205	175	610	253			441	441

All data contained here is subject to change without notice.
Note: Max. working pressure refers to FM registration pressure.